

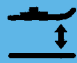
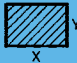






MRD-20060EN

LL SIZE PROGRAMMABLE PATTERN SEWING MACHINE



SPECIFICATION

MODEL								
MRD-20060EN	★	2	20mm	2000×600mm	0.05-12.7mm	★	2,000rpm ^{※1}	1.81/min

※1 INTERMITTENT FEEDING STITCH LENGTH UNDER 3MM