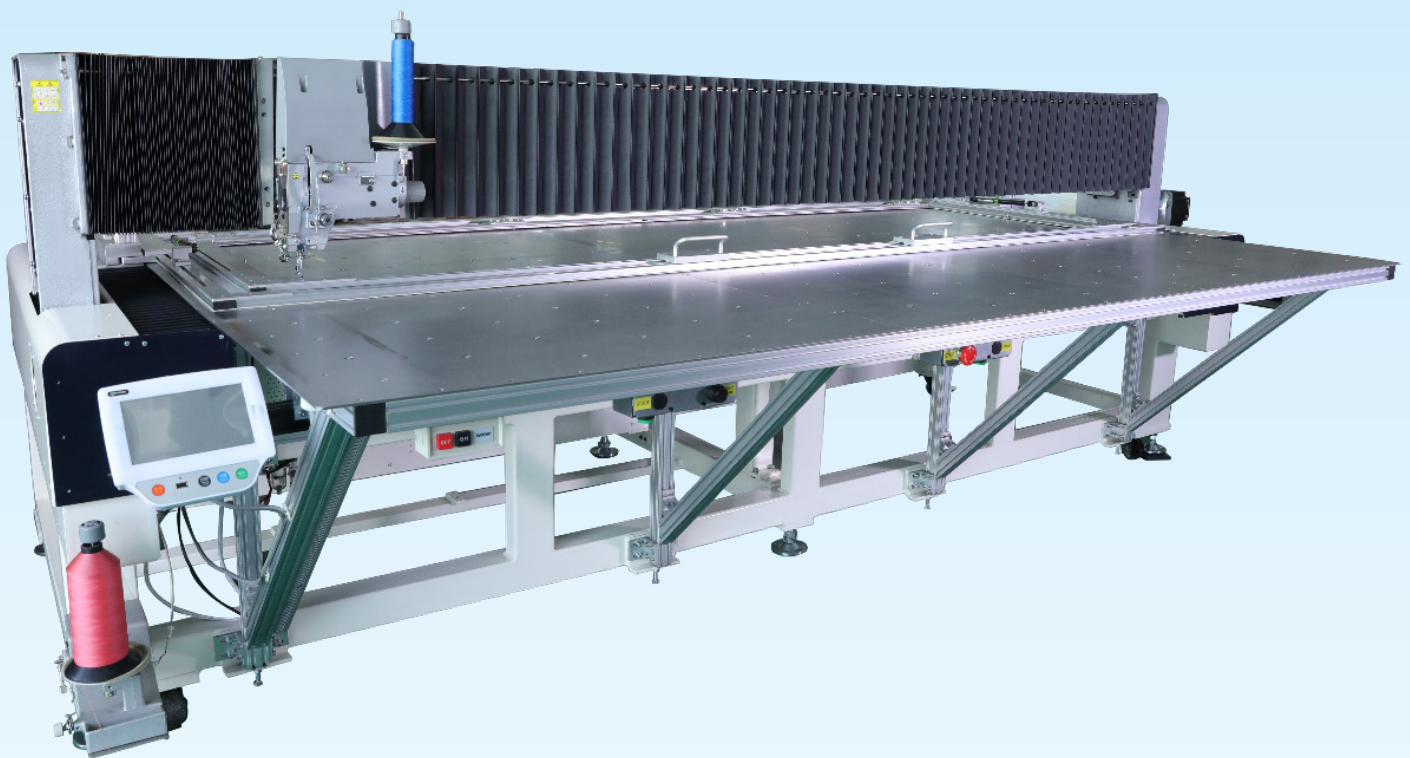



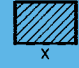






# MRD-25070CBH

## Programmable CNC Sewing Machine



### SPECIFICATION

Model	 Lockstitch	 Hook Size	 Height of Presser Foot Raise	 Sewing Area	 Length of Stitch	 Thread Cutter	 Sewing Speed	 Air Consumption
MRD-25070CBH	★	2	20mm	2500×700mm	0.05-12.7mm	★	1,500rpm*	1.8L/min

※ Intermittent Feed, Length of Stitch is <3mm

※ 1800rpm is possible based on the object being sewn